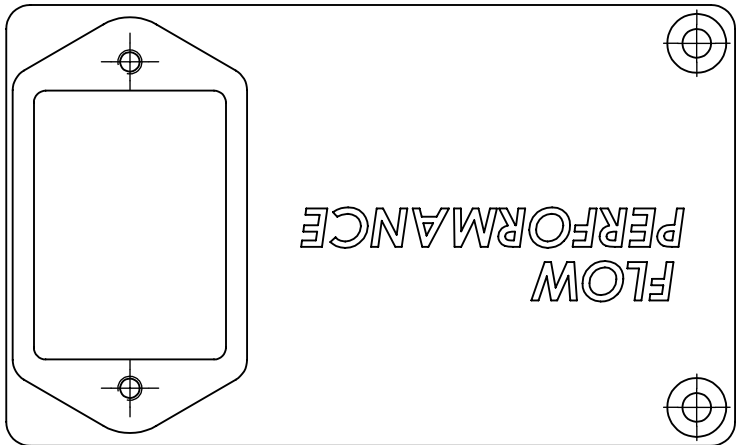


THRU BOLTS-2 1/2 INCH'S LONG, PLUS YOUR SURFACE MATERIAL THICKNESS. EXAMPLE: THE VALVE IS 2 1/2 THICK, YOUR SURFACE MATERIAL IS 1/2 THICK. YOU NEED A 3/8 X 3 1/2 LONG BOLT.

2.50



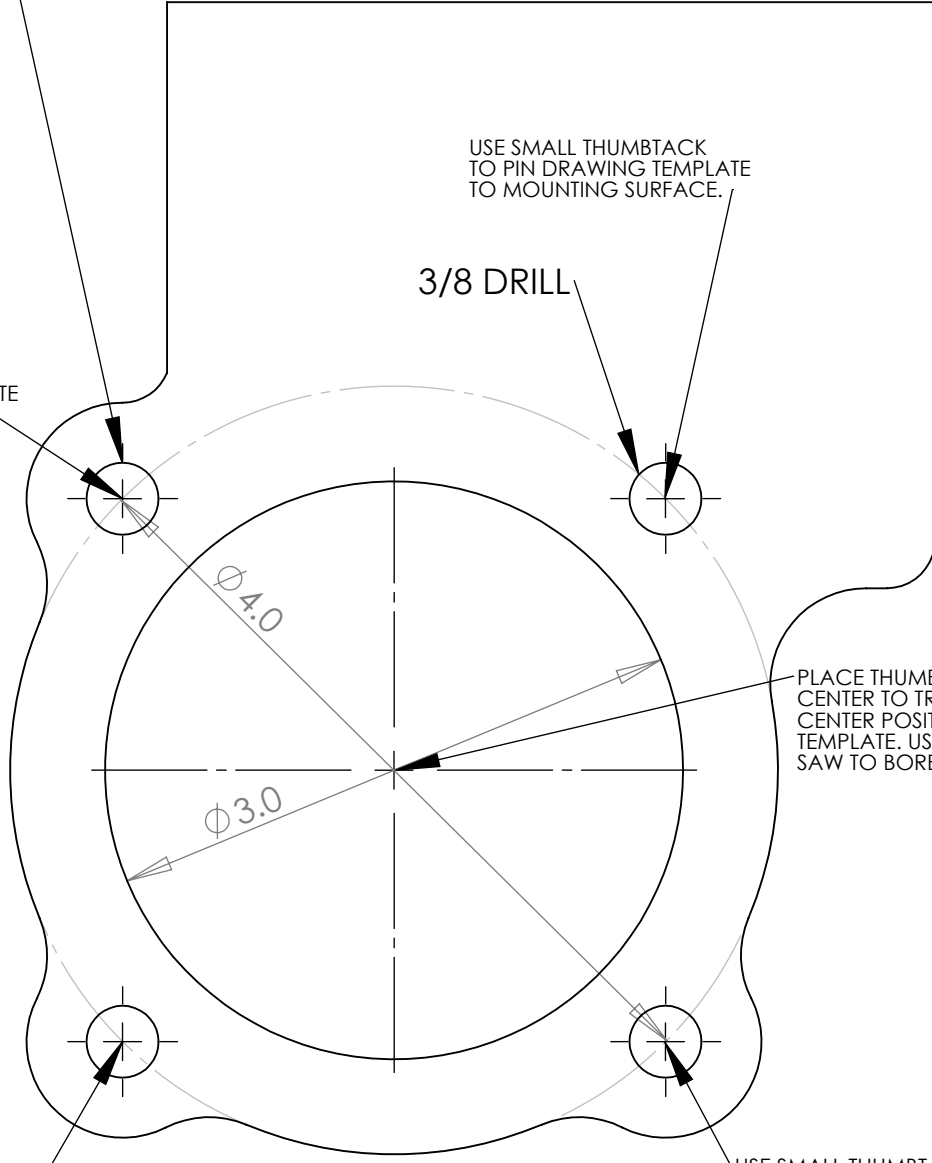
FLOW PERFORMANCE

USE SMALL THUMB TACK TO PIN DRAWING TEMPLATE TO MOUNTING SURFACE.

USE SMALL THUMB TACK TO PIN DRAWING TEMPLATE TO MOUNTING SURFACE.

3/8 DRILL

PLACE THUMB TACK IN CENTER TO TRANSFER CENTER POSITION. REMOVE TEMPLATE. USE 3 INCH HOLE SAW TO BORE CENTER HOLE.



USE SMALL THUMB TACK TO PIN DRAWING TEMPLATE TO MOUNTING SURFACE.

USE SMALL THUMB TACK TO PIN DRAWING TEMPLATE TO MOUNTING SURFACE.

INSTALLATION TEMPLATE

FLOW PERFORMANCE
PWM VALVE

SIZE	DWG NO	REV
A	FV3-A08	
SCALE:1:1	WEIGHT:	SHEET 1 OF 1